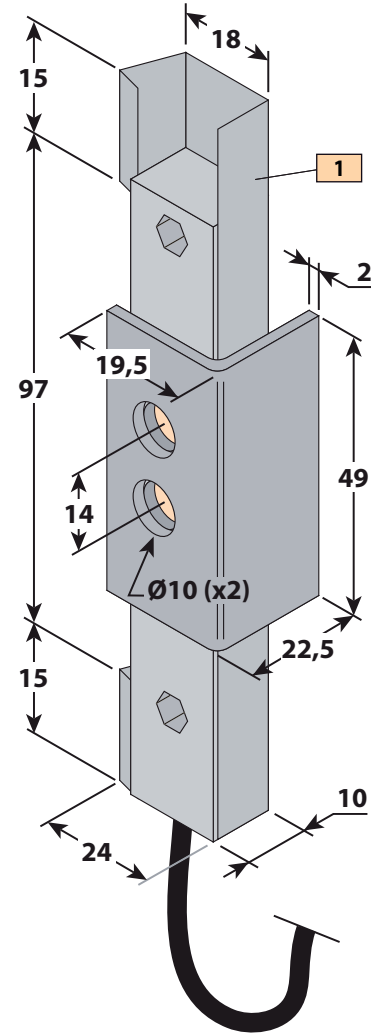
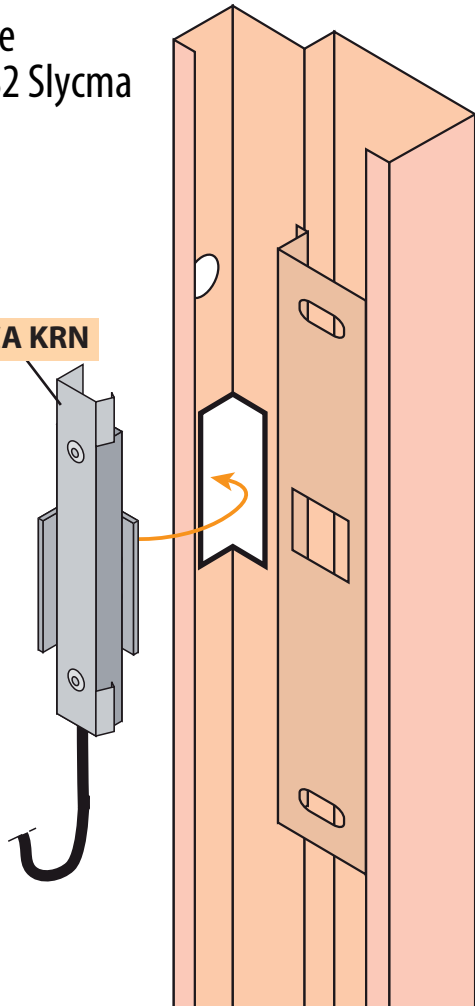


SEE SET [KRN]

Upside  
PYL-82 Slycma

CA KRN



ref : CA KRN

Composition of the product

Rep.	Qty.	Designation
1	1	Set equipped of shunt for KRN set